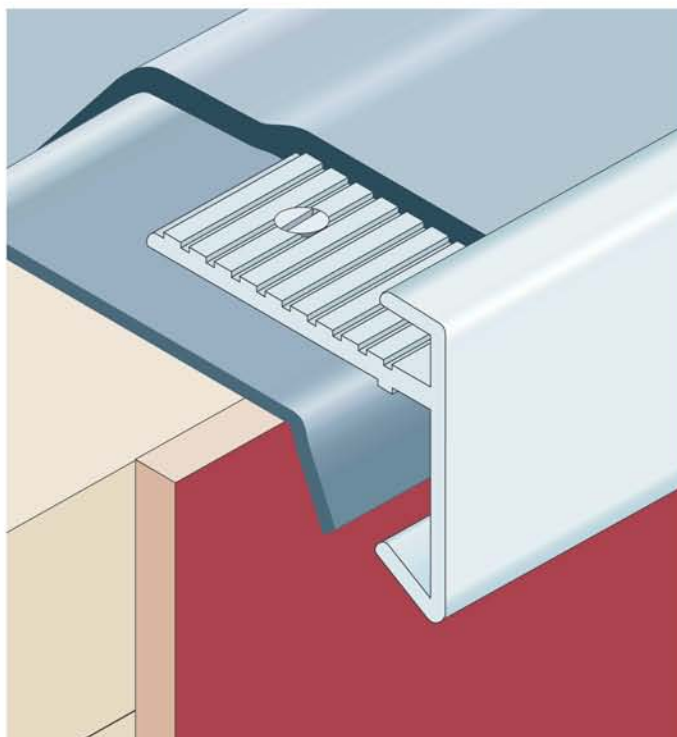




T-Trim

Aluminium roof edge trim system



Whitesales™

SPECIALITY FLAT
ROOFING PRODUCTS

Tel: 01483 303304

Fax: 01483 453919

Whitesales

T-Trim aluminium roof edge trim system

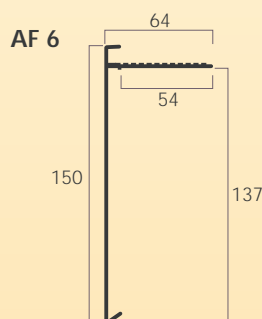
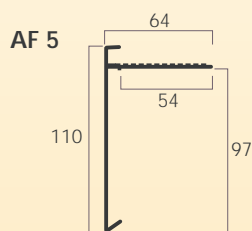
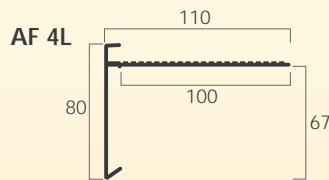
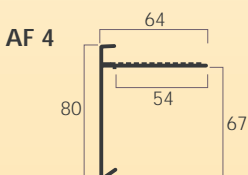
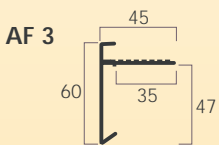
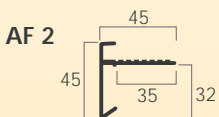
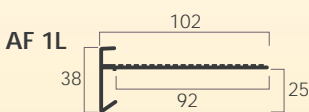
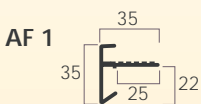
Key features of T-Trim aluminium roof edge trim system

An economical and simple to install, maintenance free edge trim system suitable for most built-up felt and mastic asphalt flat roof applications.

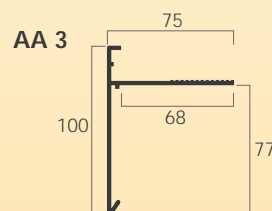
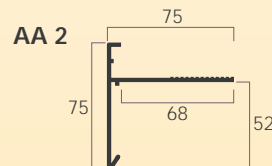
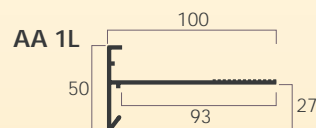
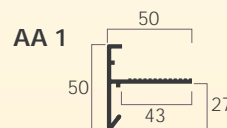
- Neat unobtrusive appearance
- Simple to handle, work and install
- Mill finish ex-stock and available anodized or polyester powder coated to order.
- High strength to weight ratio
- Maintenance free
- Available in a choice of profiles
- Competitively priced

Profile details

For built-up felt roofing systems



For mastic asphalt roof finishes



Description

Whitesales™ T-Trim is a roof edge trim manufactured from extruded aluminium alloy to BS 1474, Quality 6063/T6 (AlMgSi 0.5 F22). It is equally suitable for new projects and refurbishment work.

T-Trim can be easily cut to length and is available in a range of profiles as shown opposite. Profiles prefixed AF are for use with built-up roofing systems. Profiles prefixed AA are for use with mastic asphalt.

Performance

Due to T-Trim's aluminium composition it will not rust and is not affected by atmospheric pollution. Anodized or polyester powder coated profiles are colourfast and once installed are maintenance free.

T-Trim is unaffected by the temperatures of hot mastic and liquid bitumen.

Sitework

All drilling and cutting can be carried out on site using traditional tools.

T-Trims are normally fixed over the first layer of a built-up roofing system or the sheathing felt when asphalt is used. Typical details are shown on the right.

T-Trims should be fixed at maximum 300 mm centres into timber grounds or suitable plug inserts using corrosion resistant woodscrews. Self tapping screws should be used when fixing into metal decks.

All lengths should be jointed, using the connector pieces supplied, allowing a 3mm expansion gap between adjoining lengths.

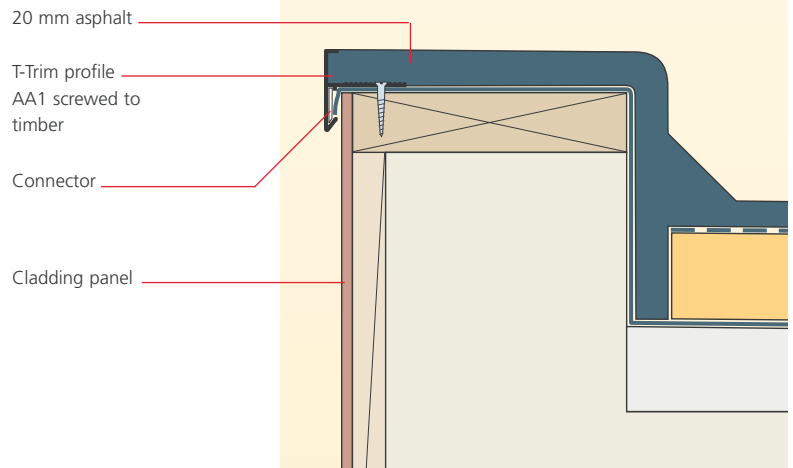
T-Trim can be supplied polyester powder coated to any RAL colour number. Anodised finishes are also available.



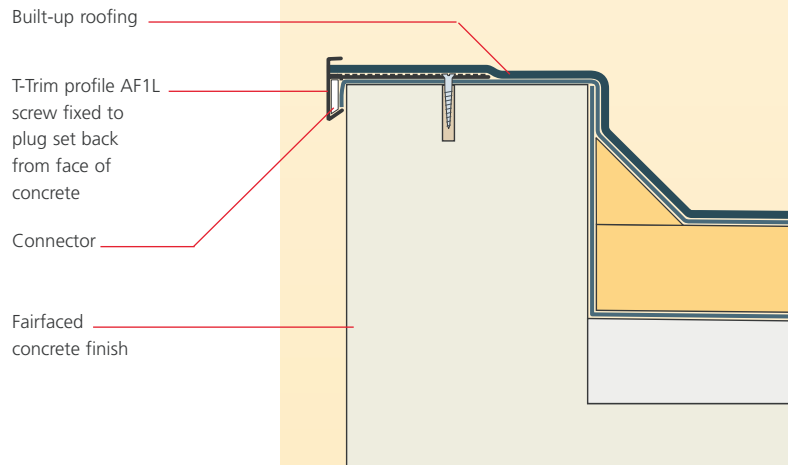
Preformed T-Trim corners in mill finish aluminium

Typical installation details

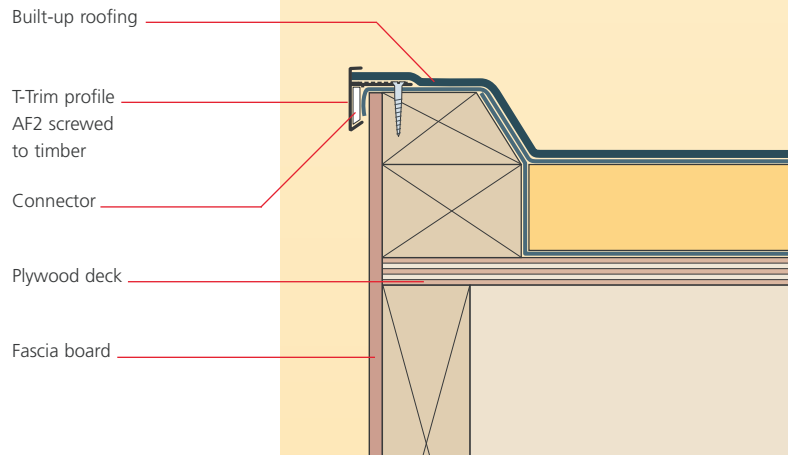
Asphalt finish on concrete deck



Built-up roofing system on concrete deck



Built-up roofing system on timber deck



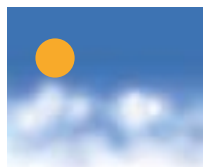
Supply

T-Trim is supplied in 3 m lengths in sturdy cartons. Contents vary depending on size of profile. One connector piece is supplied with each 3m length.

Pre-formed 90° external and internal corners are also available ex-stock (standard size 200 x 200 mm). Other angles and sizes are available to order.

Technical support

We are always willing to provide technical advice and assistance on the specification and application of all our products. For larger projects, a site survey service is also available.



Whitesales™

**SPECIALITY FLAT
ROOFING PRODUCTS**

PO Box 82,
Guildford, GU1 4FJ
Tel: 01483 303304
Fax: 01483 453919

The following brochures are available from Whitesales™:

Product Range Summary

1. Rooflights
2. Barrel vaults
3. GRP trim
4. Aluminium trim
5. Termination bars
6. Accessories